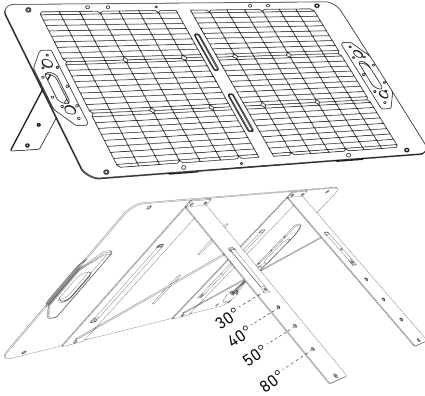
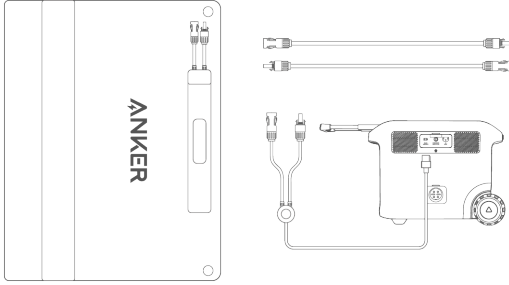


## Using Your Product

1. Unfold Anker SOLIX PS100 Portable Solar Panel and its stand. For maximum charge, adjust the solar panel up to 4 angles and align it directly under the sun.



2. Charge your portable power station with the included MC4 to XT-60 or XT60-7909 solar charging cable.



### Notes:

- Anker SOLIX PS100 Portable Solar Panel can not store electricity. You will need a portable power station to store power.
- Charging efficiency is subject to sunlight intensity.
- Keep your portable power station away from direct sunlight. Excessive heat may cause damage.
- 100W refers to the power of the solar panel, which is not equal to the actual power of the output ports. There will be some power loss when solar energy is transferred into electrical energy, so the actual power of the output ports will be less than the power of the solar panel.

### Specifications

Peak Power	100W
Rated Voltage	24.5V
Rated Current	4.1A
Dimension(Folded)	21.9 × 23.9 × 1.3 in / 557 × 608 × 32 mm
Dimension (Unfolded)	44.1 × 23.9 × 1.1 in / 1120 × 608 × 28 mm
Weight	9.7 lb / 4.4 kg