

# HX10E 1150X680

## HIGH LIFT PALLET TRUCK - ELECTRIC



### HX10 E

The HX10E scissor Lift makes possible an easy and light lifting to a height of 800 mm thanks to the reliable electric motor and to the powerful battery.

When lifted, it becomes a practical **work platform**, which is suitable for places such as machine workshops.

This pallet truck is also able to carry out the support function and material supply along the assembly and production lines.

The battery can easily and conveniently be recharged with the **built-in battery charger** and monitored with the **battery status indicator** supplied as standard.

### ERGONOMICS

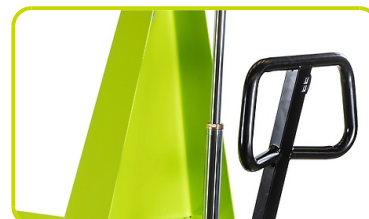
The machine is highly recommended for improving the ergonomic conditions of the workstations and the quality of work activities for operator, both in the short and long term.

#### Foot protection shape

The shape of the battery box offers **much space for the feet** and ensures freedom and naturalness of movement: the operator does not have to juggle to avoid hitting the machine and can move easily and comfortably around it.

#### Tiller

The special **3D superior ergonomic shape** tiller, compared to a conventional tiller, allows the operator to have a good position when pushing the loads with maximum efficiency without fatigue. This thanks to two large grasping side areas specifically designed to have a correct position during operation of the truck.



## SAFETY

The high visible **emergency pushbutton** with the function of battery cut-off switch (isolator) is one of the devices that make the work tasks safer and more efficient.

The safety **limit switch** device protects against oil over pressure.

The battery box base is especially designed to **prevent foot injury** and leave more space of movement to the operator.



## EASY MAINTENANCE

Battery compartment cover easily removable and inserted from above.

All components subject to replacement are clearly visible and easily accessible.



## AUTO LEVELLING SYSTEM

For an even more ergonomic workstation, the machine can be equipped with the optional Auto Level system, able to adjust the height of the forks and maintain the desired working height constant. Available also as retrofit, it includes:

- Optical and acoustic signal activated with every fork movement
- Microswitch active both upwards to avoid unnecessary energy absorption and downhill to protect the operator
- Precise and punctual fork lifting with additional VBS



## SCALE SYSTEM

The scissor lift can also be provided with a precise and intuitive scale device that allow the machine to be used not only to handle and move goods but also to weigh them at the same time, making it functional in all internal weighing operations.

**NOTE:** It's possible to combine AUTO LEVELING with SCALE system for enhanced efficiency, safety and ergonomics.



## CONFIGURATION

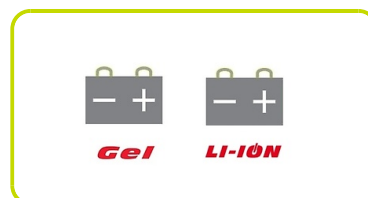
### STANDARD

- Rubber steering wheels and polyurethane rollers
- 12V 60Ah starter battery
- On-board battery charger with frontal IEC plug
- Battery status indicator visible from the manouvering station



### OPTIONAL

- GEL BATTERY - 12V 50Ah: particularly suitable for deep cycle applications, gel battery is safer (no acid spilling out) and without maintenance (does not need watering)
- LITHIUM BATTERY - 24V 30Ah: maintenance-free and with long life. Quick opportunity charging allowed, even during breaks and lunch, without impairing the battery service life.



## Description

1.1 Manufacturer			LIFTER
1.3 Drive			Manual
1.4 Operator type			Pedestrian
1.5 Load capacity	Q	kg	1000
1.6 Load centre distance	c	mm	600
1.8 Load axle to end forks	x	mm	993
1.9 Wheel base	y	mm	1231

## Weights

2.1 Service weight (battery included)		kg	151
2.2 Axle load, laden rear		kg	709
2.2 Axle load, laden front		kg	442
2.3 Axle load, unladen front		kg	123
2.3 Axle load, unladen rear		kg	28

## Tyres/Chassis

3.1 Tyres: front wheels			RUBBER
3.1 Tyres: rear wheels			POLY.I.
3.2 Tyre size: Steering wheels - Width		mm	50
3.2 Tyre size: Steering wheels - Diameter		mm	200
3.3 Tyre size: Load rollers - Diameter		mm	80
3.3 Tyre size: Load rollers - Width		mm	50
3.5 Tyre size: rear wheels - Q.ty (X=driven)		nr	2
3.6 Tread, front	b10	mm	155
3.7 Tread, rear	b11	mm	587

## Dimensions

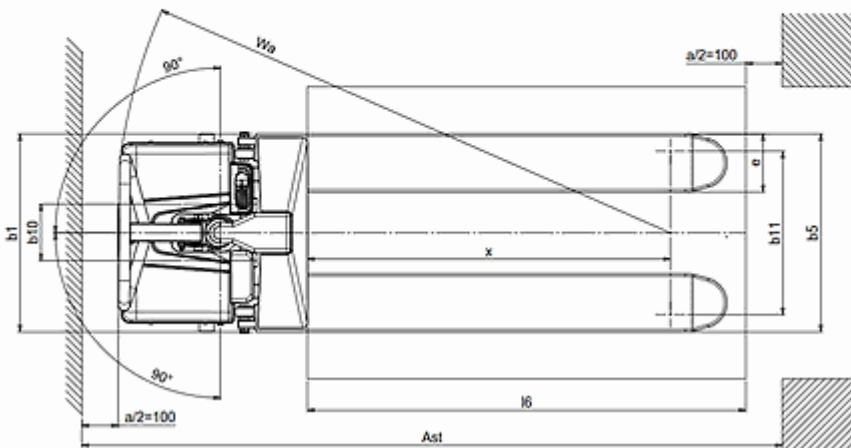
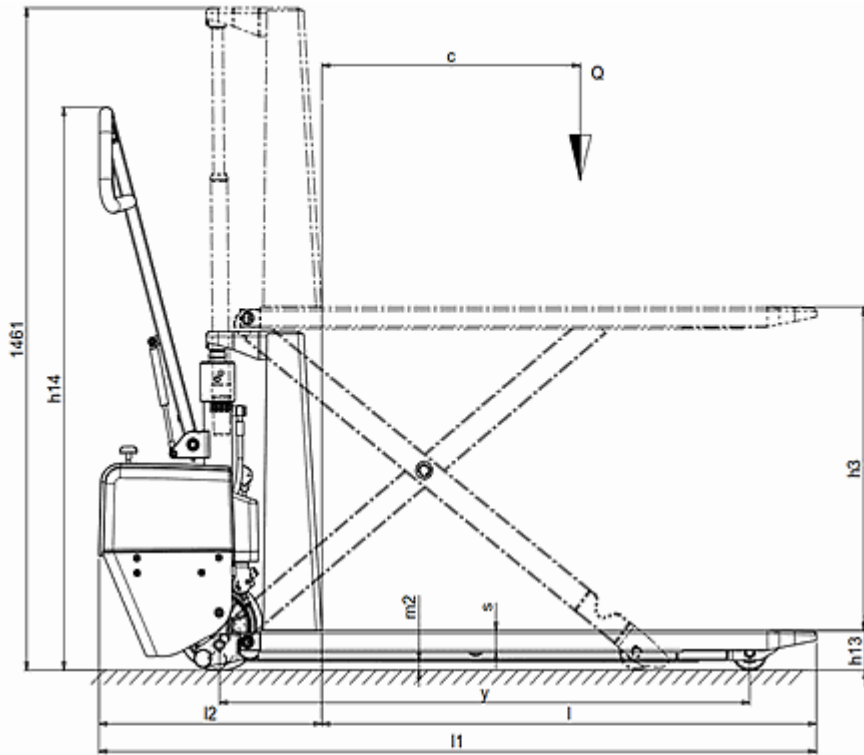
4.4 Lift height	h3	mm	715
4.9 Height of tiller in drive position max	h14	mm	1244
4.9 Height of tiller in drive position min	h14	mm	887
4.15 Height, lowered	h13	mm	85
4.19 Overall length	l1	mm	1665
4.20 Length to face of forks	l2	mm	515
4.21 Overall width (front/rear)	b1/ b2	mm	680
4.22 Fork dimensions - Thickness	s	mm	48
4.22 Fork dimensions - Width	e	mm	160
4.22 Fork dimensions - Length	l	mm	1150
4.25 Distance between fork arms	b5	mm	680
4.32 Ground clearance, centre of wheelbase	m2	mm	21
4.34 Aisle width	Ast	mm	2170
4.35 Turning radius	Wa	mm	1520

## Performance data

5.2 Lifting speed laden		m/s	0.08
5.2 Lifting speed unladen		m/s	0.13
5.3 Lowering speed laden		m/s	0.13
5.3 Lowering speed unladen		m/s	0.06

## Electric motors

6.2 Lift motor power	kW	1.6
Battery Type	Type	AUTOMOTIVE
6.4 Battery voltage	V	12
6.4 Battery capacity, Min	Ah	60
6.4 Battery capacity, Max	Ah	60
6.5 Battery weight, Min	kg	14
6.5 Battery weight, Max	kg	14



The information is aligned with the Data file at the time of download. Printed on 30/01/2023 (ID 15056)

©2023 | PR INDUSTRIAL s.r.l. | All rights reserved | Image shown may not reflect actual package. Specifications subject to change without notice

