

GS EVO 25S4 1220X525

Professional hand pallet truck (2.500 kg)



GS EVO

The GS EVO is the top choice for hand pallet truck: designed for an intensive use with maximum easiness of use and superior ergonomics.

Available in a wide range of options, it is the right tool for customer that is looking for a tailored product for his application or simply a great professional tool.



HYDRAULIC UNIT

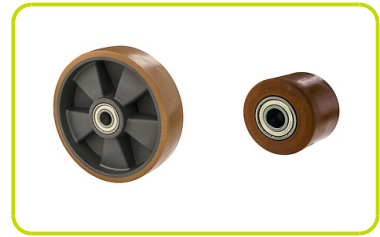
The GS EVO pump has been designed with extreme care of details in order to have superior characteristics and features, such as:

- **Monolithic design:** the resistant and reliable one-piece cast iron housing protects all components avoiding any accidental damages. Pump housing is processed with CNC machines to achieve high precision tolerances and high accuracy.
- **Chromed piston rod and oil seal:** in order to avoid rust and prevent oil leakage during the use.
- **Maximum pressure valve:** safety device that protects the transpallet against overloads.
- **PROPORTIONAL LOWERING VALVE:** lowering speed can be proportionally controlled according to the lever position on the tiller. Perfect working tool to carry fragile and delicate loads like crystal, glass and ceramics.



STANDARD CONFIGURATION

- Nylon - Poly 45 steering wheels
- Poly rollers



- **Entry/exit rollers.** Supplementary rollers to allow easier entrance and quicker exit from a closed pallet, reducing the impact on the main rollers and guaranteeing a longer life



- **3D Superior Ergonomic shape tiller.** This tiller has a special 3D design, with enhanced ergonomics. Compared to a conventional tiller, this shape allows the operator to have a good position when pushing the loads with maximum efficiency without fatigue. This thanks to two large grasping side areas specifically designed to have a correct position during operation of the truck



PAINTING

Following an appropriate conditioning operation the frame is varnished with polyester powder at a temperature of 250° to guarantee maximum resistance to wear and atmospheric agents.



EASY TO MOUNT

Tiller easy to assemble with a fast mounting system. Robust tiller connection with two full welded joints that assure superior sturdiness in the toughest application.



OPTIONAL CONFIGURATION

- **All types of steering wheels and rollers** (Rubber, Aluminum/Poly, Nylon)



- **Quicklift.** The perfect tool for quick lifting your loads. Saving time and improving efficiency with the specifically designed hydraulic pump. Just two pumps will lift loads under 120kg off the ground or three pumps for loads above 120kg. Compared to 5 pumps with a standard hand pallet truck



- **Covered tiller.** Soft rubber covering grants operator comfort and helps to reduce vibration, enabling a more comfortable and secure grip.



- **Manual control brake.** Made by drum brake on each steering wheel, controlled by dedicated lever on the tiller, it is available with rubber and poly steering wheels. It ensures that the machine doesn't move during parking.



COMPLETE RANGE OF SOLUTIONS (See dedicated GS EVO product card)

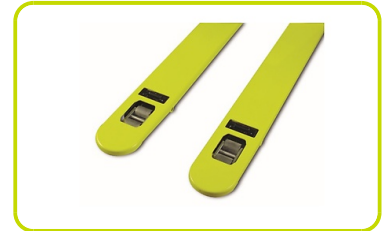
- **Capacity.** 3 tons version with reinforced structure for any fork size



- **Silent.** Certified silent version designed to strongly reduce the noise emission even on worse surfaces. This option is suitable for the usage on residential areas deliveries and in supermarket stores



- **Low profile.** Required where the pallet has a limited access due to height. GS EVO can come in low profile with only 55mm height from the ground



- **Galvanized/Stainless steel.** Ideal tool to handle loads in humid and damp conditions. Suitable for environments where high hygienic standards are enforced, such as the chemical, pharmaceutical or food & beverage industry



Description

| | | | |
|----------------------------|---|----|------------------|
| 1.1 Manufacturer | | | PR INDUSTRIAL |
| 1.3 Drive | | | Manual |
| 1.4 Operator type | | | Pedestrian |
| 1.5 Load capacity | Q | kg | 2500 |
| 1.6 Load centre distance | c | mm | 610 |
| 1.8 Load axle to end forks | x | mm | 1002 |
| 1.9 Wheel base | y | mm | 1262 |

Weights

| | | | |
|------------------------------|--|----|------|
| 2.1 Service weight | | kg | 65 |
| 2.2 Axle load, laden rear | | kg | 1745 |
| 2.2 Axle load, laden front | | kg | 820 |
| 2.3 Axle load, unladen rear | | kg | 22 |
| 2.3 Axle load, unladen front | | kg | 43 |

Tyres/Chassis

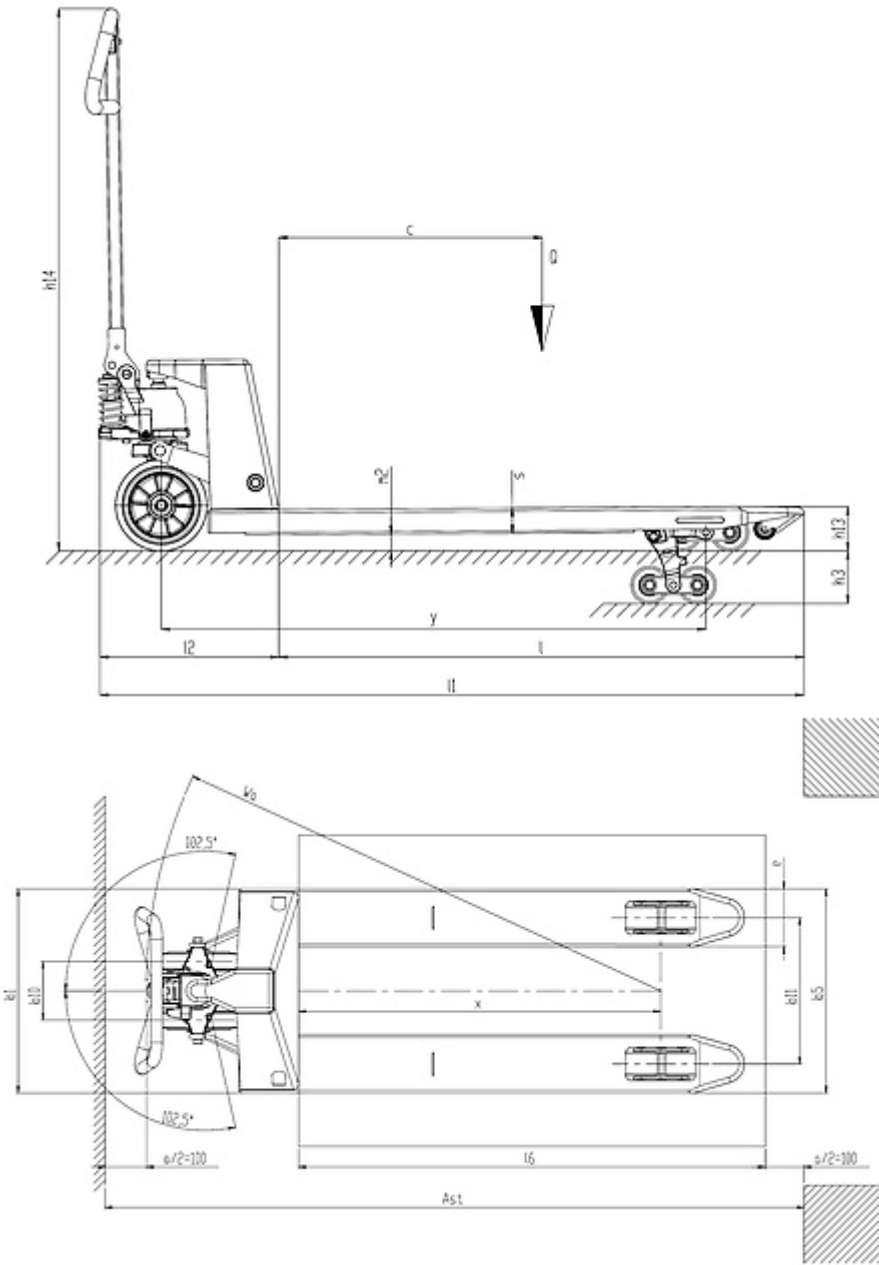
| | | | |
|---|-----|----|-------------------|
| 3.1 Tyres: front wheels | | | POLY.I./ NYLON |
| 3.1 Tyres: rear wheels | | | POLY |
| 3.2 Tyre size: Steering wheels - Diameter | | mm | 200 |
| 3.2 Tyre size: Steering wheels - Width | | mm | 45 |
| 3.3 Tyre size: Load rollers - Diameter | | mm | 82 |
| 3.3 Tyre size: Load rollers - Width | | mm | 60 |
| 3.5 Tyre size: rear wheels - Q.ty (X=driven) | | nr | 4 |
| 3.5 Tyre size: front wheels - Q.ty (X=driven) | | nr | 2 |
| 3.6 Tread, front | b10 | mm | 155 |
| 3.7 Tread, rear | b11 | mm | 375 |

Dimensions

| | | | |
|--|-----------|----|------|
| 4.4 Lift height | h3 | mm | 115 |
| 4.9 Height of tiller in drive position max | h14 | mm | 1185 |
| 4.9 Height of tiller in drive position min | h14 | mm | 710 |
| 4.15 Height, lowered | h13 | mm | 85 |
| 4.19 Overall length | l1 | mm | 1620 |
| 4.20 Length to face of forks | l2 | mm | 400 |
| 4.21 Overall width (front/rear) | b1/ b2 | mm | 525 |
| 4.22 Fork dimensions - Thickness | s | mm | 55 |
| 4.22 Fork dimensions - Width | e | mm | 150 |
| 4.22 Fork dimensions - Length | l | mm | 1220 |
| 4.25 Distance between fork arms | b5 | mm | 525 |
| 4.32 Ground clearance, centre of wheelbase | m2 | mm | 30 |
| 4.34 Aisle width | Ast | mm | 2093 |
| 4.35 Turning radius | Wa | mm | 1437 |

Performance data

| | | | |
|----------------------------|--|---------|------|
| 5.2 Lifting speed laden | | strokes | 12 |
| 5.2 Lifting speed unladen | | strokes | 12 |
| 5.3 Lowering speed laden | | m/s | 0.06 |
| 5.3 Lowering speed unladen | | m/s | 0.02 |



The information is aligned with the Data file at the time of download. Printed on 09/03/2023 (ID 12844)

©2023 | PR INDUSTRIAL s.r.l. | All rights reserved | Image shown may not reflect actual package. Specifications subject to change without notice

