

EX18L 1150X540

EASY TO USE, LI-ION BATTERY, 1800 KG



POWERFUL AND STABLE ELECTRIC PALLET TRUCK

The perfect solution for any logistics operations.

Easy to use, it is equipped with a powerful lithium battery.

The machine can easily carry loads up to **1800 kg** and reach **5.5 km/h** max speed.



Li-ION
48V/20Ah



kg
1800 kg



5,5 km/h

ROBUSTNESS

Robust frame designed to guarantee maximum durability and resistance to torsion and loads.

Fork tips shaped for an easier entrance/exit on the closed side of the pallet.



SAFETY

Emergency push button, belly button and electrobrake are the standard safety features of the machine.

The cover for driving wheel protects the operator's feet during work and secures the truck's components from collision with objects.

Its max. gradeability can reach 10% with the load of 1300kg.



TURTLE MODE SWITCH

Offered as standard, this function enables operating the truck in confined spaces: it allows the unit to travel with the tiller in upright position.

This function is activated by pressing the turtle button on the tiller. The truck travels at limited speed.

Release the button to disable this function.



BATTERY CHARGER

Available on-board charger as standard, 10A, 2h charging time.

Available also external charger as optional.



Description

Lift			Electric
1.3 Drive			Electric
1.4 Operator type			Pedestrian
1.5 Load capacity	Q	kg	1800
1.6 Load centre distance	c	mm	600
1.8 Load axle to end forks	x	mm	940
1.9 Wheel base	y	mm	1200

Weights

2.1 Service weight		kg	170
2.2 Axle load, laden rear		kg	1330
2.2 Axle load, laden front		kg	640
2.3 Axle load, unladen front		kg	130
2.3 Axle load, unladen rear		kg	40

Tyres/Chassis

3.1 Tyres: front wheels			POLY.C
3.1 Tyres: rear wheels			POLY
3.2 Tyre size: Steering wheels - Width		mm	70
3.2 Tyre size: Steering wheels - Diameter		mm	210
3.3 Tyre size: Load rollers - Diameter		mm	80
3.3 Tyre size: Load rollers - Width		mm	60
3.5 Tyre size: rear wheels - Q.ty (X=driven)		nr	4
3.5 Tyre size: front wheels - Q.ty (X=driven)		nr	1x
3.6 Tread, front	b10	mm	450
3.7 Tread, rear	b11	mm	390

Dimensions

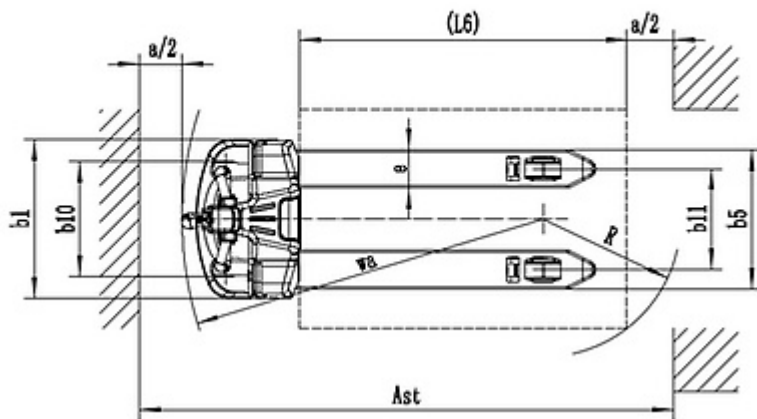
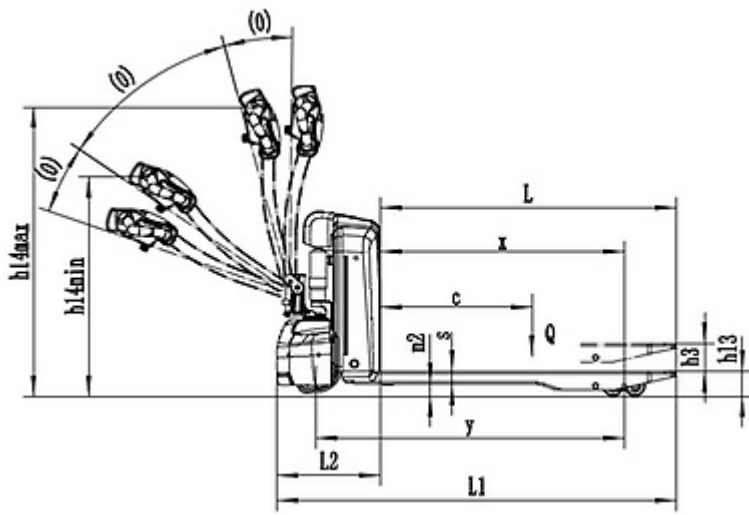
4.4 Lift height	h3	mm	115
4.9 Height of tiller in drive position max	h14	mm	1170
4.9 Height of tiller in drive position min	h14	mm	650
4.15 Height, lowered	h13	mm	80
4.19 Overall length	l1	mm	1550
4.20 Length to face of forks	l2	mm	400
4.21 Overall width (front/rear)	b1/ b2	mm	610
4.22 Fork dimensions - Thickness	s	mm	50
4.22 Fork dimensions - Width	e	mm	150
4.22 Fork dimensions - Length	l	mm	1150
4.25 Forks width	b5	mm	540
4.32 Ground clearance, centre of wheelbase	m2	mm	30
4.34 Aisle width	Ast	mm	2146
4.35 Turning radius	Wa	mm	1330

Performance data

5.1 Travel speed laden	km/h	5
5.1 Travel speed unladen	km/h	5,5
5.2 Lifting speed laden	m/s	0,020
5.2 Lifting speed unladen	m/s	0,025
5.3 Lowering speed laden	m/s	0,065
5.3 Lowering speed unladen	m/s	0,030
5.8 Max gradeability laden	%	6
5.8 Max gradeability unladen	%	16
5.10 Service brake		Electric

Electric motors

6.1 Drive motor power	kW	0,9
6.2 Lift motor power	kW	0,8
6.4 Battery voltage	V	48
6.4 Battery capacity	Ah	20
8.4 Sound level at driver's ear	dB(A)	74



The information is aligned with the Data file at the time of download. Printed on 04/03/2024 (ID 19627)

©2024 | PR Industrial S.r.l unipersonale – Loc. Il Piano – 53031 Casole d'Elsa (SI) – ITALY. Company subject to the management and coordination of Generac Power Systems Inc. | All rights reserved | Image shown may not reflect actual package. Specifications subject to change without notice

