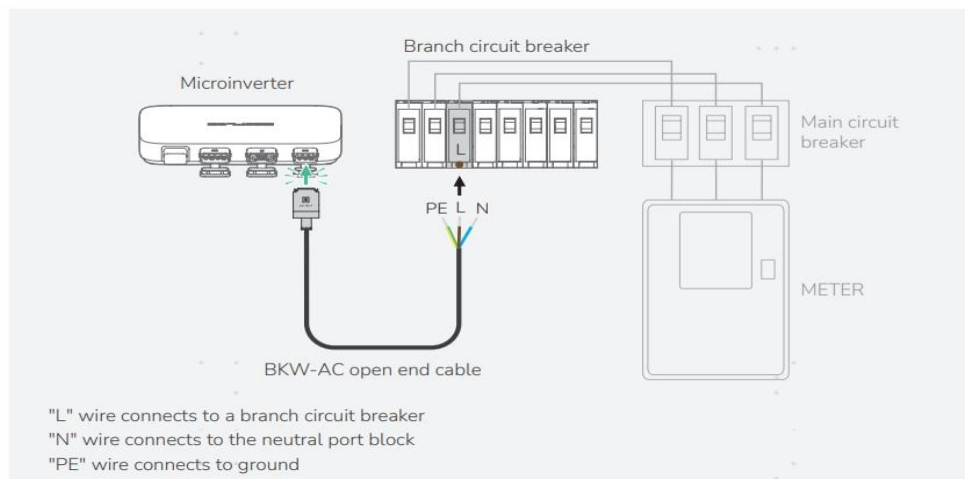


Installing the EcoFlow PowerStream in the UK.

UK regulations are slightly different to European regs and do not allow back-feeding a micro-inverter via a three-pin plug. So, to use the micro-inverter in the UK it must be installed by a qualified electrician and permanently connected to your premises electrical circuit. We can supply a cable for this installation and you should not use the AC cable that us supplied with the inverter.

The diagram below shows the correct method of installation. Please show your electrician this and also refer to page 19 of the user manual.



Please note that we cannot advise on your particular installation or recommend an electrician. Please refer to an electrician to ensure your installation is safe and complies with all local requirements.

Should you have any questions or require further assistance, please do not hesitate to contact us.